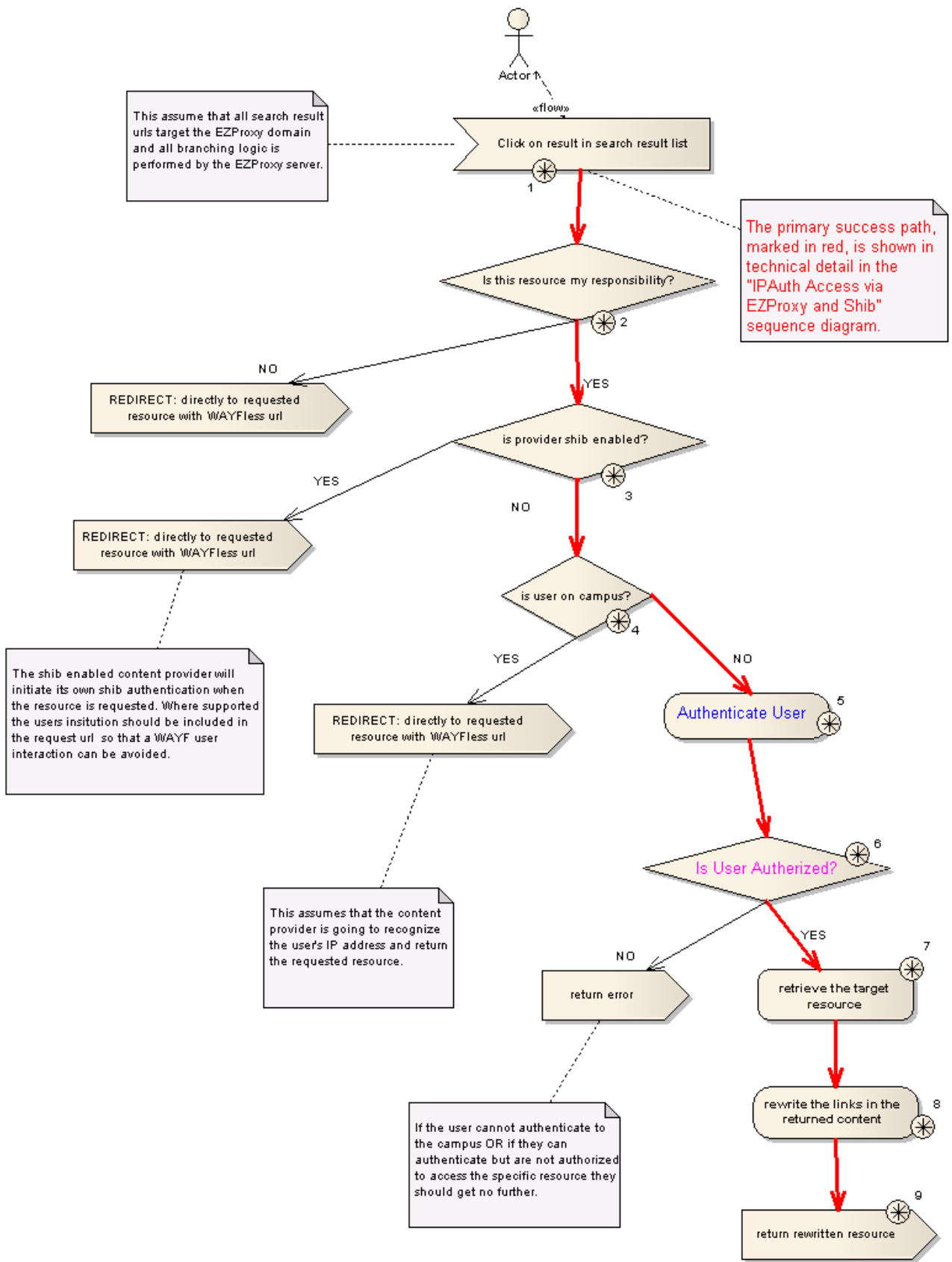
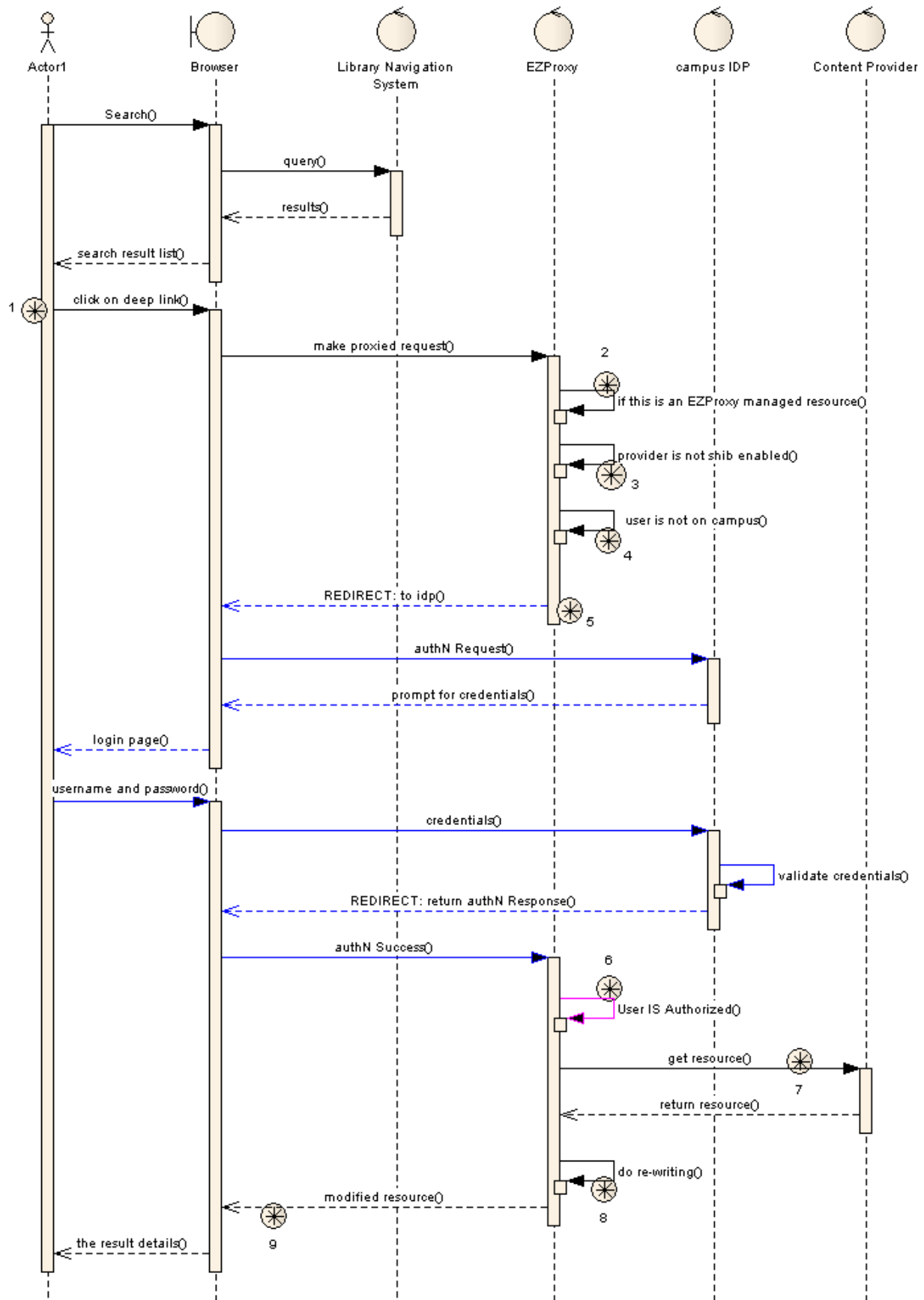


UML Flow Diagrams for EZProxy

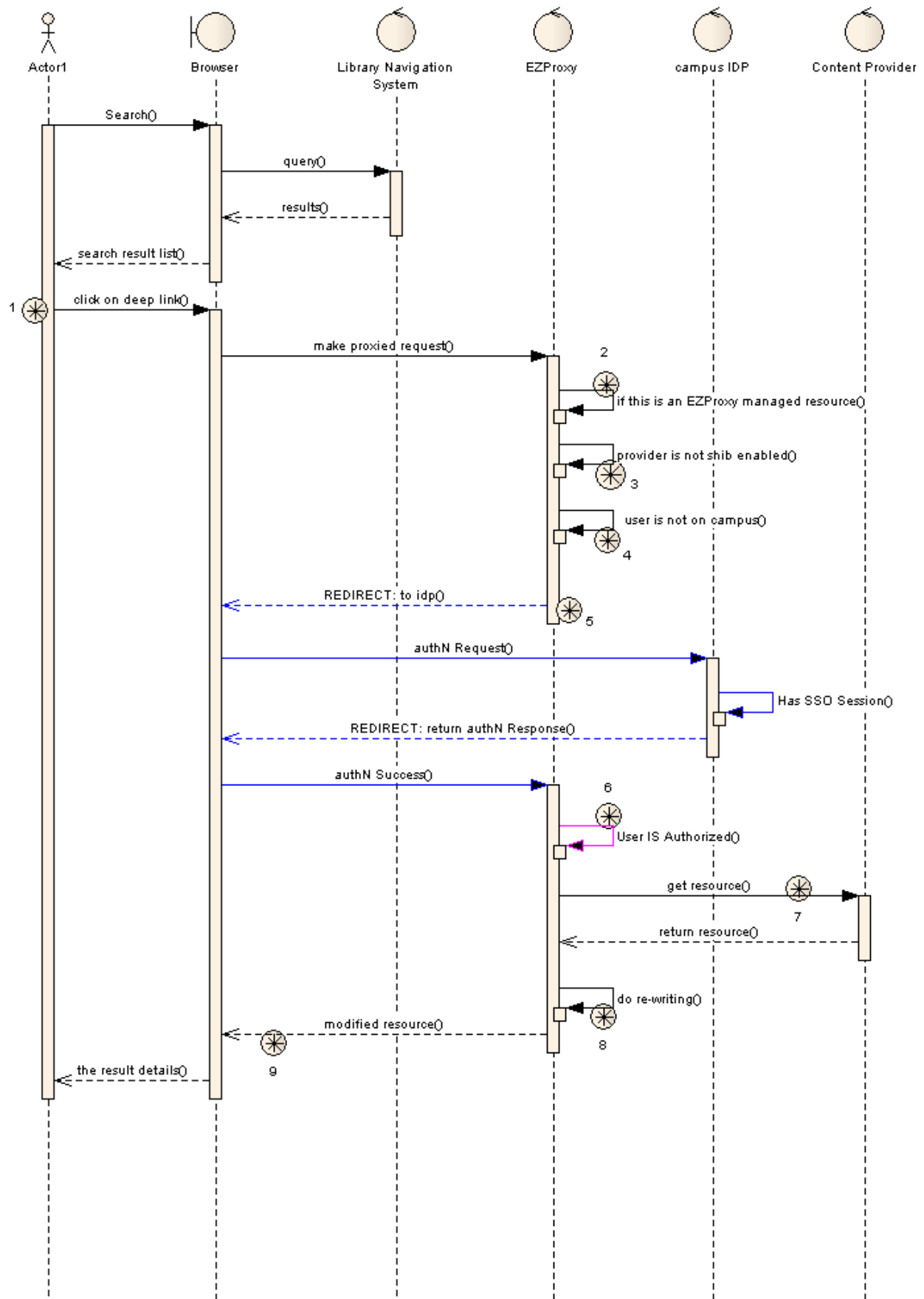
act 1) Basic EZProxy Access Flow



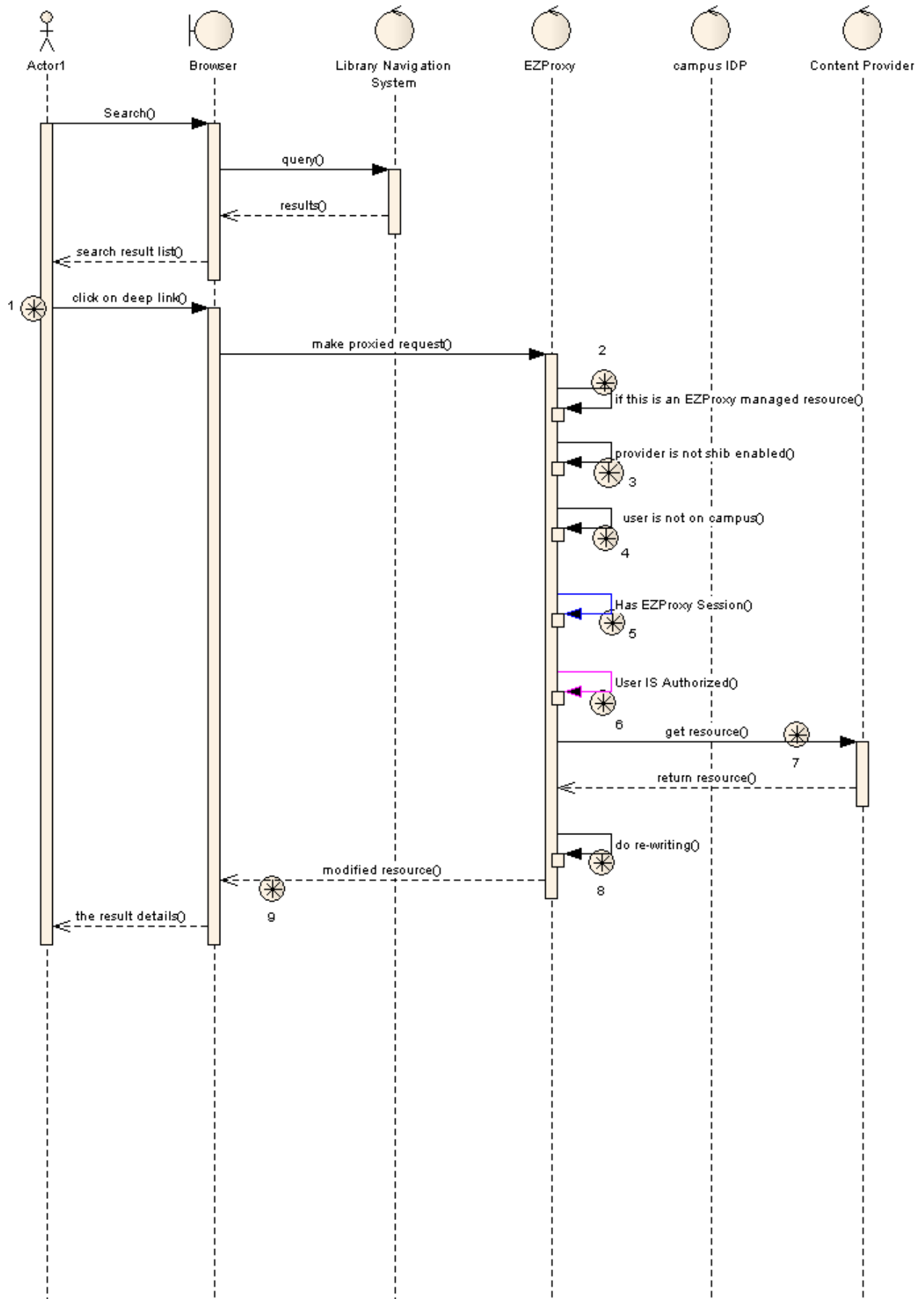
sd 2) IPAuth Access via EXProxy and Shib



sd 3) IPAuth Access via EXProxy and Shib SSO



sd 4) IPAuth Access via EXProxy with Session



sd 5) starting with a OpenURL

