

Identifier Glossary

Portability must be included as part of a thoroughgoing review/rewrite of the section of eduPerson (200806) on "Identifier Concepts:"

<http://middleware.internet2.edu/eduperson/docs/internet2-mace-dir-eduperson-200806.html#IdentifierConcepts>

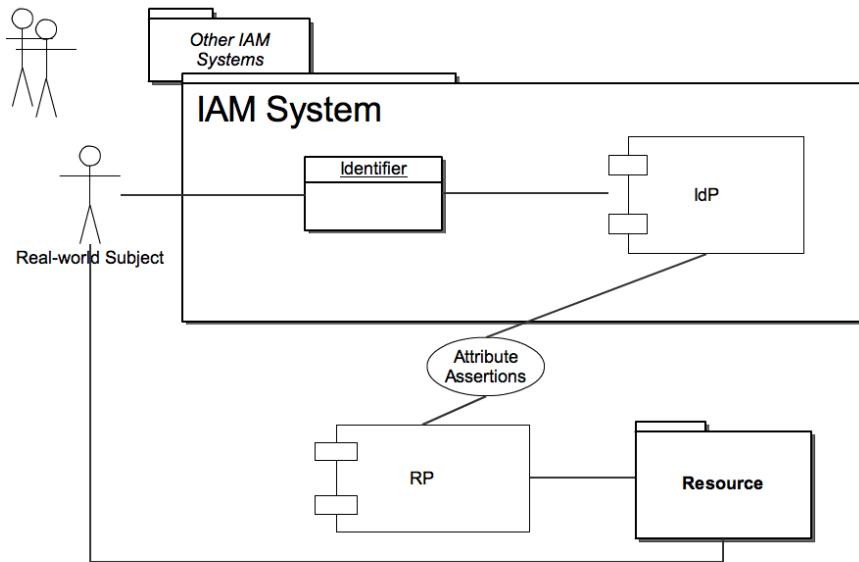
- 1) uniqueness
- 2) persistence
 - 2a) reassignable
- 3) mutable
 - 3a) resynchronizable
- 4) palatable
- 5) opacity
- 6) correlatable
- 7) privacy
- 8) portable

Many of these properties need to have more possible values than True or False.

The Trouble with Glossaries – RL "Bob" Morgan

[Few of the properties] are properties of the identifiers themselves, most are properties of the use of the identifiers in the context of many interacting systems.

Look at reassignment. It has to do with practices at the IdP, whether an identifier continues to apply to the same entity or can be used for a different one. The identifier stays the same, it's the mapping to the "real world entities" that might change. So the model needs to include those entities, the IdM system that maintains (or doesn't) the mapping, and the interest of the RP in the continuity of the mapping.



Here's a trial run with further revisions (dependency is indicated by indentation)

From perspective of the University of Wisconsin-Madison as IdP

Properties of Identifier Usage	ePPN	UUID	PVI	ePTID
- Scope	wisc.edu	wisc.edu	wisc.edu	wisc.edu
• Uniqueness	within scope	global	within scope	global

- Reversible	reversible	reversible	reversible	reversible
- Persistence	persistent	persistent	persistent	persistent
- Transparency	transparent	opaque	opaque	opaque
• Palatability	palatable	no	palatable	no
- Mutable	mutable on approved user request	mutable only in case of mistaken identity	mutable only in case of mistaken identity	mutable
• Reassignable	potentially	no	potentially	no
• Resynchable	resynchable	no	no	resynchable
- Correlatable	correlatable	correlatable	correlatable	only within specific application group
- Portable	no	potentially	no	no

NOTE: Name identifiers are a threat to privacy to the extent that they are transparent, reversible, resynchable, correlatable and portable