

Cybersecurity Research Acceleration Workshop and Showcase

October 18, 2017 | San Francisco, CA

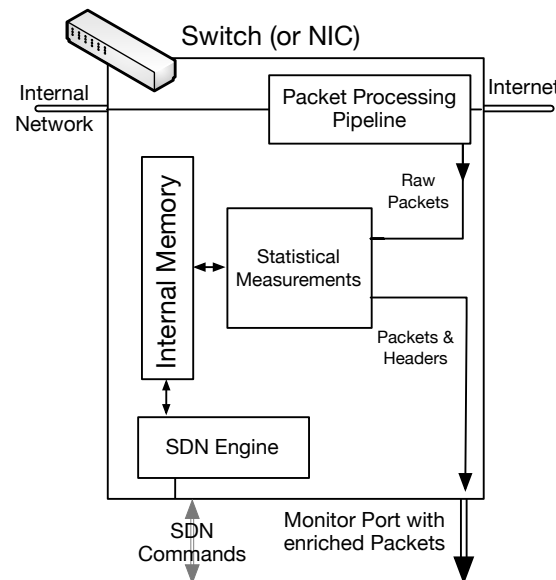
Quad Chart for: Effective and Economical Protection for High-Performance Research and Education Networks

Challenge:

- Increase performance of network monitoring for high-speed scientific environments.
- Expand visibility into research and education networks.

Solution:

- Hardware/Software co-design with:
 - Accelerated statistics
 - Connection establishment offloading
 - TCP stream reassembly
 - Hardware pattern matching
- Advance visibility for R&E networks:
 - Support domain-specific protocols
 - Enable network profiling
 - Enable better active response
 - Enforce security policies



Impact:

- Enable better protection of high-speed research and education networks, specifically DMZ environments.
- Integrates with Bro network monitor already widely used in R&E community.

What we need:

- Your feedback on
 - Network visibility issues
 - Protocols used in environments
 - Current monitoring performance pain points

**NSF ACI #1642161
ICSI**

PI: Johanna Amann (ICSI)
Co-PIs: Robin Sommer (ICSI),
Michael Dopheide (Esnet)

Contact:

- johanna@icir.org
- robin@icir.org
- dopheide@es.net